

Masport®

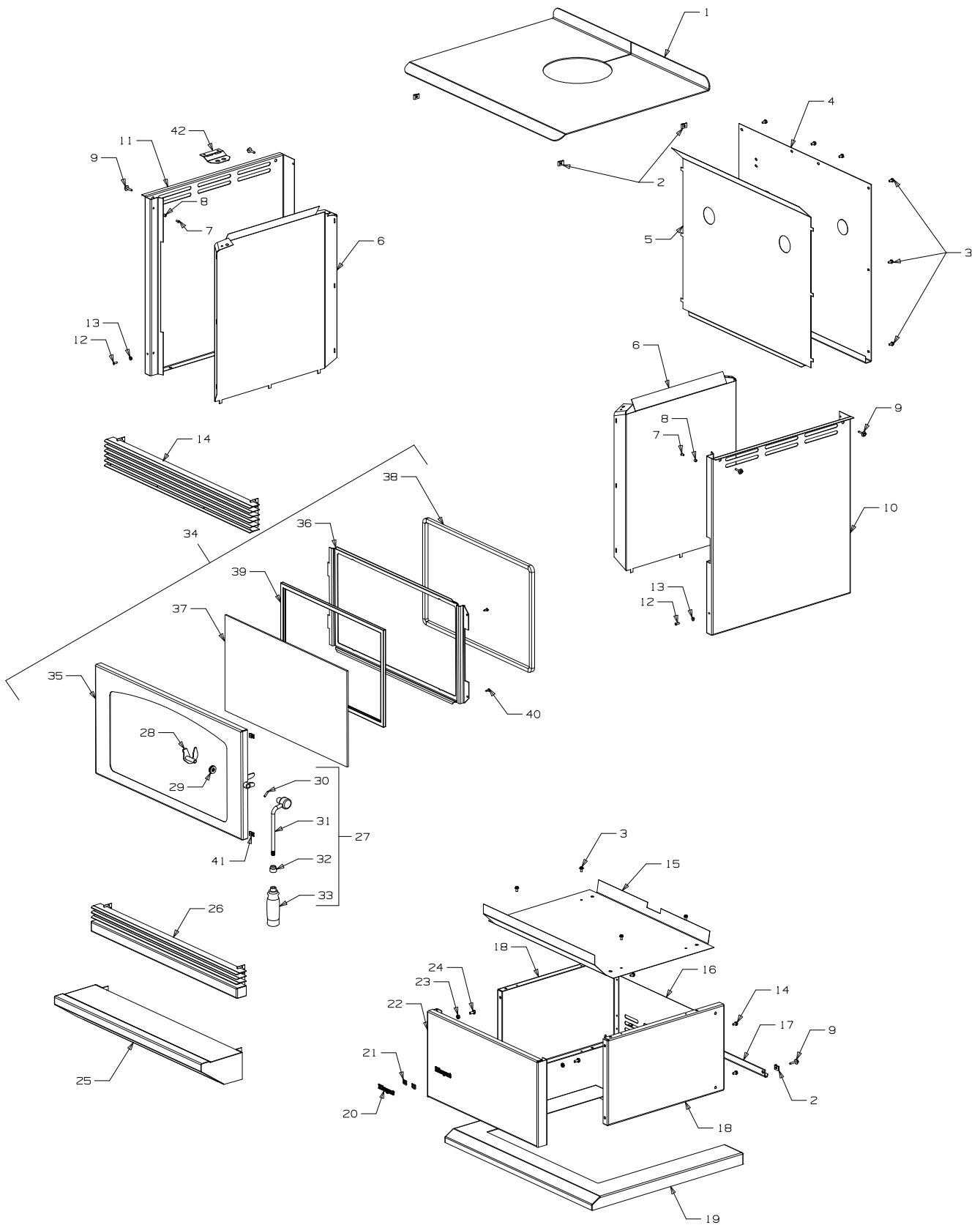
FREESTANDING WOOD FIRES

COLORADO (NZ & AUST)

| | | NZ | AUST |
|---------------------|------------|--------|--------|
| Part Numbers | Charcoal | 993902 | 993900 |
| | Moss Green | _____ | 993901 |

From Serial Number 3011594

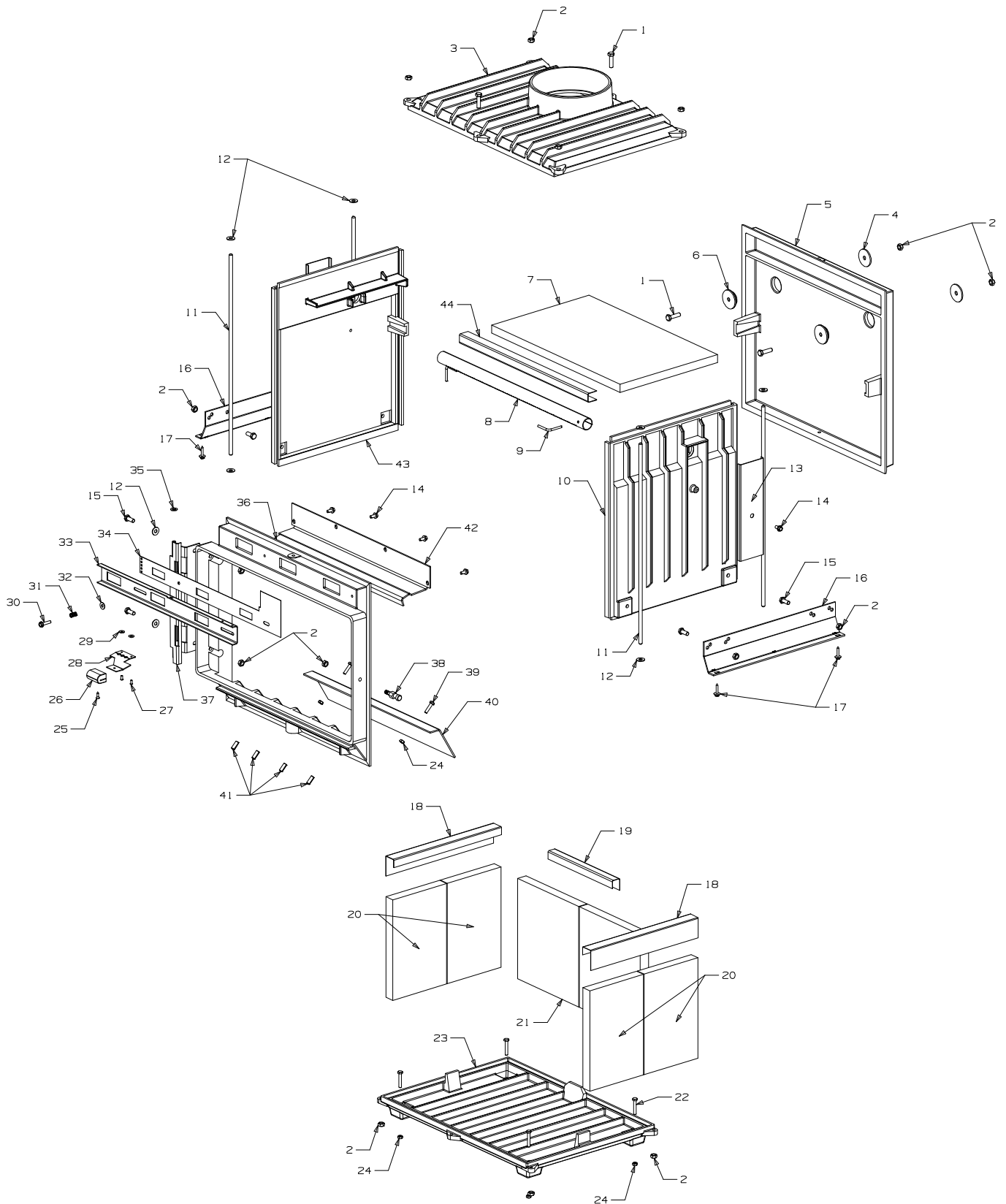






| <i>Item No</i> | <i>Part No</i> | <i>Description</i> | <i>Qty</i> | <i>Item No</i> | <i>Part No</i> | <i>Description</i> | <i>Qty</i> |
|----------------|-----------------|--------------------------------------|------------|-----------------|---|---|------------|
| 1 | 793040 | Panel-Top - Charcoal | 1 | 23 | 501602 | Nut, M8 | 18 |
| | • 793041 | Panel-Top - Moss Green | 1 | 24 | 501959 | Screw, Set M6 x 12 | 6 |
| 2 | 503388 | Nut-Spire | 6 | 25 | 993023 | Shelf Assy-Ash - Charcoal | 1 |
| 3 | 503630 | Screw, S/T 10 x .4 | 15 | • 993024 | Shelf Assy-Ash - Moss Green | 1 | |
| 4 | 793021 | Panel-Rear - Metallic Black | 1 | 26 | 793005 | Louvre Assy-Bottom, 3 Blade - Charcoal - Aust Only | 1 |
| | • 793022 | Panel-Rear - Moss Green | 1 | • 793033 | Louvre Assy-Bottom, 3 Blade - Moss Green - Aust Only | 1 | |
| 5 | 987120 | Heatshield-Back | 1 | 27 | 793044 | Handle-Door, Assy | 1 |
| 6 | 987121 | Heatshield-Side | 2 | 28 | 993038 | • Latch-Door Assy, 10mm | 1 |
| 7 | 586167 | Rivet-Pop 4.0 Dia x 4.8 | 2 | 29 | 501704 | • Washer, Flat 10 x 21 x 1.6 | 4 |
| 8 | 986148 | Spacer-Grille | 2 | 30 | 503006 | • Pin, Tension 4 x 16 | 1 |
| 9 | 503459 | Screw, S/T 12 x 25 | 6 | 31 | 586714 | • Handle Assy | 1 |
| 10 | 793019 | Panel-Side, RH - Charcoal | 1 | 32 | 586724 | • Ferrule | 1 |
| | • 793029 | Panel-Side, RH - Moss Green | 1 | 33 | 586722 | • Handle-Door | 1 |
| 11 | 793028 | Panel-Side, LH - Charcoal | 1 | 34 | 793046 | Door Assy - Charcoal (Incl. Glass) | 1 |
| | • 793020 | Panel-Side, LH - Moss Green | 1 | • 793047 | Door Assy - Moss Green (Incl. Glass) | 1 | |
| 12 | 501303 | Rivet-Pop 4.0 Dia x 7.9 | 4 | 35 | 793017 | • Frame-Door - Charcoal | 1 |
| 13 | 986149 | Spacer-Front Panel | 2 | • 793018 | • Frame-Door - Moss Green | 1 | |
| 14 | 794509 | Louvre - 6 Blade - Charcoal | 1 | 36 | 994516 | • Retainer-Glass | 1 |
| 15 | 994503 | Heatshield-Bottom | 1 | 37 | 793031 | • Glass - 5mm x 548mm x 293mm | 1 |
| 16 | 795588 | Panel-Pedestal, Back - Charcoal | 1 | 38 | 793042 | • Rope-Door | 1 |
| | • 795589 | Panel-Pedestal, Back - Moss Green | 1 | 39 | 793043 | • Tape-Glass, Flat 3 x 20 | 1 |
| 17 | 995612 | Bracket-Seismic Restraint | 1 | 40 | 501480 | • Screw, S/T 8 x .5 | 4 |
| 18 | 993011 | Pedestal-Side - Charcoal | 2 | 41 | 503001 | • Nut-Spire | 4 |
| | • 993026 | Pedestal-Side - Moss Green | 2 | 42 | 986147 | Brace-Side Panel | 1 |
| 19 | 993013 | Foot Assy - Charcoal | 1 | | | | |
| | • 993014 | Foot Assy - Moss Green | 1 | | | | |
| 20 | 584581 | Badge - Gold | 1 | | | | |
| 21 | 503001 | Nut-Spire | 4 | | | | |
| 22 | 993012 | Pedestal-Front - Charcoal | 1 | | | | |
| | • 993032 | Pedestal-Front - Moss Green | 1 | | | | |

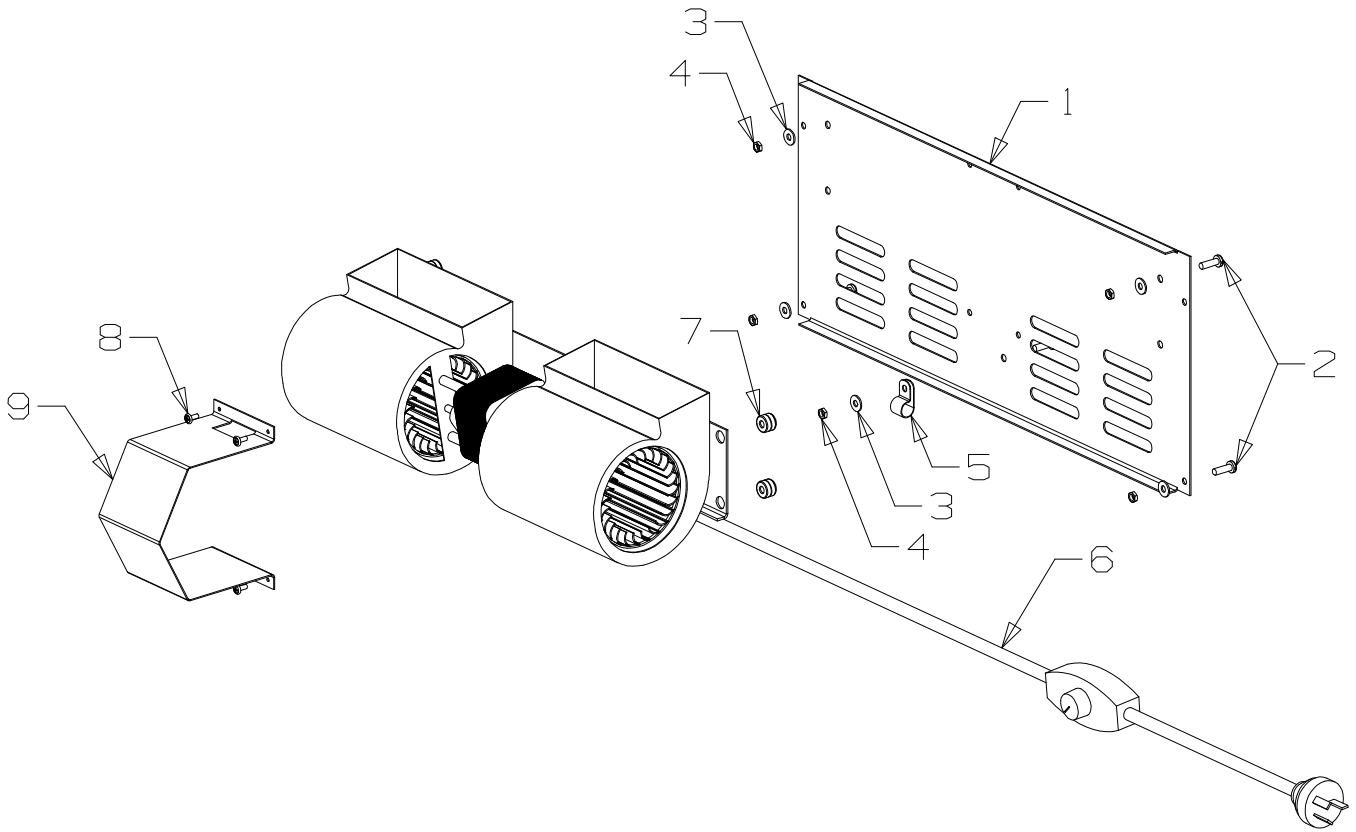
Bold Text = Assembly
Indented Bullet Points = Item included in Assembly





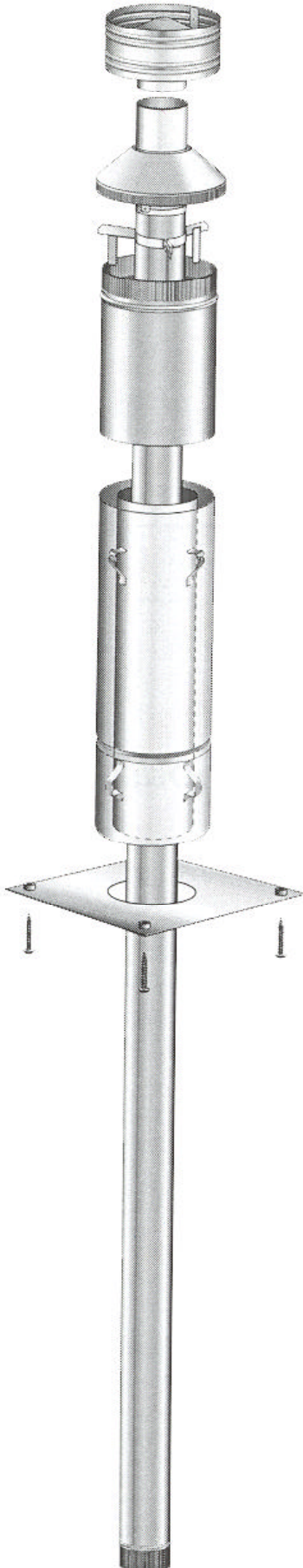
| <i>Item</i> | <i>Part No</i> | <i>Description No</i> | <i>Qty</i> | <i>Item</i> | <i>Part No</i> | <i>Description No</i> | <i>Qty</i> |
|-------------|----------------|--|------------|-------------|----------------|----------------------------|------------|
| | 984090 | Plug Assy-25mm | 2 | 21 | 787112 | Brick-Fire, Back | |
| | | Incl. items 1, 2, 4, 6 (2 each) | | | | - 223mm x 250mm x 25mm | 2 |
| 1 | 501685 | Screw, Set M8 x 30 | 6 | 22 | 501815 | Screw, Set M6 x 35 | 4 |
| 2 | 501602 | Nut, M8 | 18 | 23 | 987304 | Firebox-Bottom | 1 |
| 3 | 795544 | Firebox-Top | 1 | 24 | 501682 | Nut, M6 | 21 |
| 4 | 502093 | Washer, Flat 8 x 42 x 3.0 | 2 | 25 | 503004 | Screw, Csk No. 8 x 5/8" | 1 |
| 5 | 987303 | Firebox-Back | 1 | 26 | 586162 | Knob-Air Control | 1 |
| 6 | 684089 | Plug-34mm Dia | 2 | 27 | 586167 | Rivet-Pop 4.0 Dia x 4.8 | 2 |
| 7 | 787109 | Board-Top (1 per pack) | | 28 | 986166 | Extension-Slide, Air Inlet | 1 |
| | | - 20mm x 290mm x 470mm | 1 | 29 | 500848 | Washer, Flat 3/16" x .5 | 2 |
| | 987373 | Board-Top (5 per pack) | | 30 | 503336 | Screw, S/T M6 x 25 | 2 |
| | | - 20mm x 290mm x 470mm | 1 | 31 | 585223 | Spring-Compression, | |
| 8 | 987591 | Tube-Secondary Air | | | | Air Inlet | 2 |
| | | - 65mm x 3.5mm S/S | 1 | 32 | 500374 | Washer, Flat 1/4" | 2 |
| 9 | 586439 | Pin-Retaining, | | 33 | 987155 | Slide-Air Inlet | |
| | | Secondary Air Tube | 1 | | | - 20mm x 50mm | 1 |
| 10 | 787107 | Firebox-Side, RH | 1 | 34 | 987178 | Plate-Meter, Back | |
| 11 | 587108 | Rod-Tie, M8 | 4 | | | - 5ID Holes | 1 |
| 12 | 501606 | Washer, Flat 8 x 19 x 1.6 | 14 | 35 | 006025 | Washer, Flat 5/16" | 1 |
| 13 | 986146 | Cover-Secondary Air | 2 | 36 | 795558 | Firebox-Front | 1 |
| 14 | 503003 | Screw, S/T 1/4" x .5 | 6 | 37 | 993007 | Hinge Assy | 1 |
| 15 | 501597 | Screw, Set M8 x 20 | 6 | 38 | 594520 | Pin-Door Latch | 1 |
| 16 | 987123 | Bracket-Mounting | 2 | 39 | 501963 | Screw, Set M6 x 25 | 2 |
| 17 | 503459 | Screw, S/T 12 x 25 | 6 | 40 | 986720 | Plate-Base, Inner | 1 |
| 18 | 987146 | Channel-Brick Retainer | 2 | 41 | 503008 | Pin-Tension 8 x 20 | 4 |
| 19 | 995552 | Channel-Brick Retainer | 1 | 42 | 987138 | Deflector-Primary Air | 1 |
| 20 | 987375 | Brick-Fire, Side | | 43 | 787100 | Firebox-Side, LH | 1 |
| | | - 160mm x 250mm x 25mm | 4 | 44 | 993048 | Channel-Baffle Reinforcer | 1 |

Bold Text = Assembly
Indented Bullet Points = Item included in Assembly



Part No. 587363

| Item No | Part No | Description | Qty | Item No | Part No | Description | Qty |
|---------|---------|---|-----|------------------------|-----------------|----------------------|-----|
| 1 | 987180 | Panel-Pedestal Back - Black | 1 | 7 | 503671 | Grommet 14 OD x 6 ID | 4 |
| 2 | 501580 | Screw, Pan M5 x 16 | 5 | 8 | 501110 | Screw; S/T 6 x .25 | 4 |
| 3 | 500848 | Washer; Flat 3/16" x .5 | 5 | 9 | 987187 | Cover-Fan Motor | 1 |
| 4 | 501856 | Nut, M5 Hex | 5 | NOT ILLUSTRATED | | | |
| 5 | 586551 | Clamp-Cable Utilux | 1 | 503054 | Tie-Nylon Cable | 1 | |
| 6 | 586575 | Fan-3 Speed Double End - Incl. Cord Switch | 1 | | | | |



175mm Flue Kit

(to suit **Colorado**, Grandview)

Contains:

- 3 x 1200mm lengths Flue
- 1 x 1200mm length Outer / Inner Heat Shield Combination
- 1 x 600mm Outer Shield Extension
- 1 x Anti Down Draught Cowl
- 1 x Casing Cover
- 1 x top Flue Spacer Bracket
- 1 x Ceiling Plate
- 1 x Packet screws & Ceramic Spacers

Note: Flue Reflector is required for standard installations

NZ ONLY

Part No: 556100



| Item No | Part No | Description | Qty |
|----------------|----------------|---|------------|
| | | NOT ILLUSTRATED | |
| | 585416 | Bag-Fire Bedding Sand (Firebox) | 2 |
| | 584048 | Tube-Maniseal (Firebox) | 1 |
| | 593076 | Owners Manual | 1 |
| | 503054 | Tie-Nylon Cable | 1 |
| | | ASSEMBLYS | |
| | 787300 | Firebox Assembly | 1 |
| | | ACCESSORIES | |
| | 586044 | Hot Water Booster - LE (also need 986788) | 1 |
| | 586266 | Paint, Touch Up - Charcoal | 1 |